

# medifa

Member of REINSBERG® GROUP



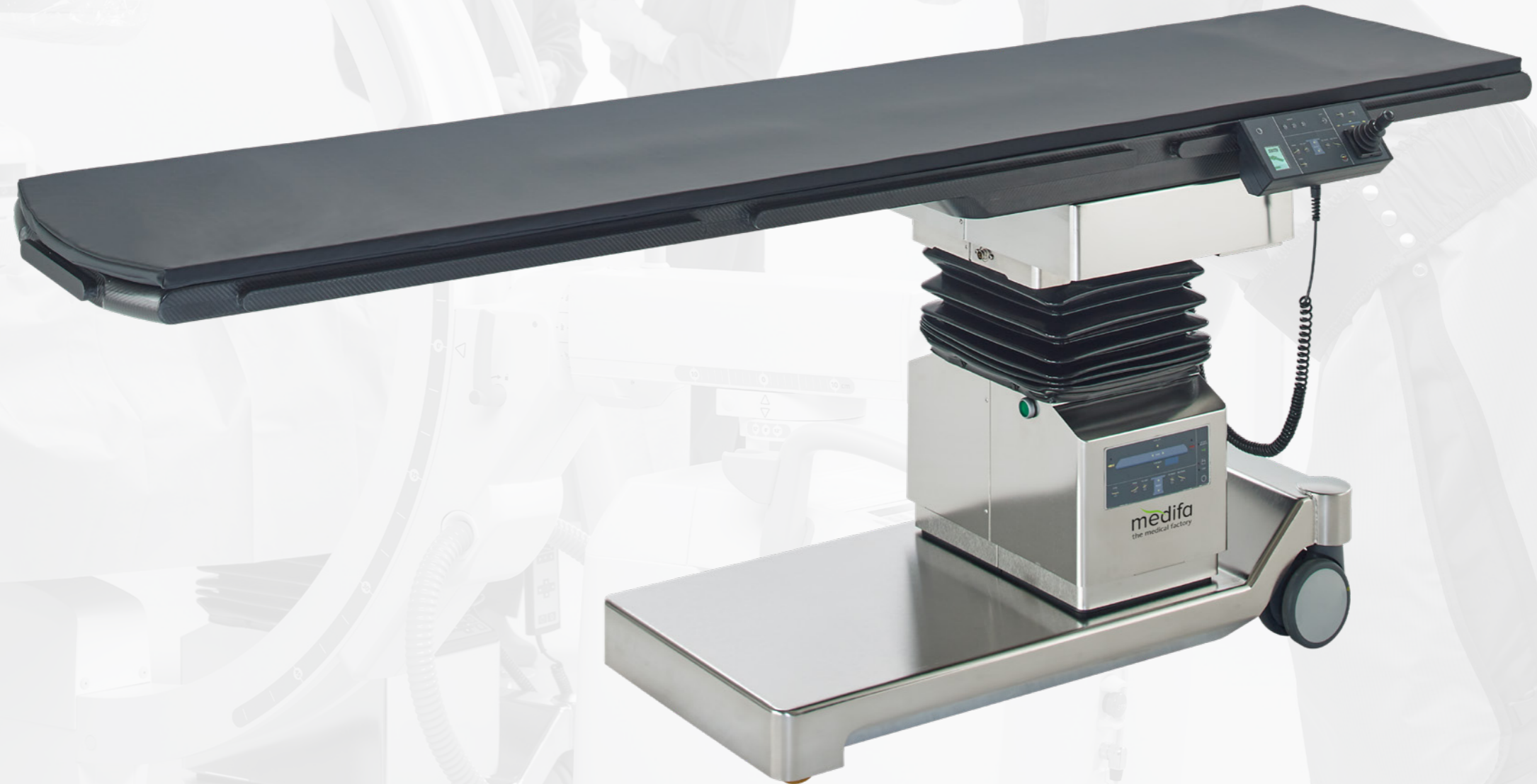
## medifa 8000

Mobile Imaging  
Operating Table

Made in Germany

# Advantages at a glance

- Continuously radiolucent table top made of high quality carbon
- Integrated guide rails at both sides made of carbon
- Integrated guide rails at head- and foot-end made of carbon
- Perfect partner in hybrid operating rooms
- Up to 1,300 mm with unrestricted 360° imaging
- Horizontal and vertical sliding of table top
- Simple manoeuvrability
- Optimal cleaning and disinfection conditions
- Excellent foot access by special base construction
- User-friendly control concept
- Wide range of radiolucent accessories
- Maximum permissible overall load of 250 kg



# Functionality and Comfort



By the combination of imaging and operating table the medifa 8000 is your ideal partner in hybrid operating rooms in order to organise work flows faster, easier and consequently more efficient.



Continuous radiolucency with a length up to 1,530 mm (1,300 mm with unrestricted 360° imaging).

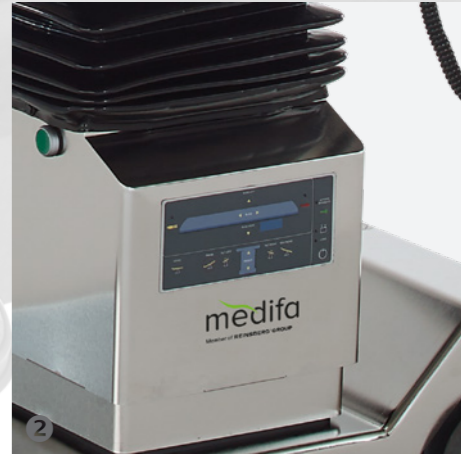
# Control Concept

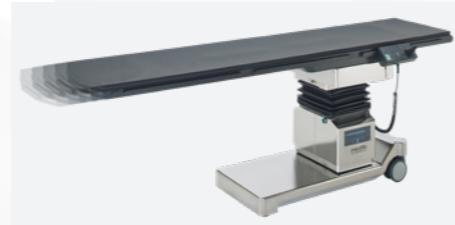
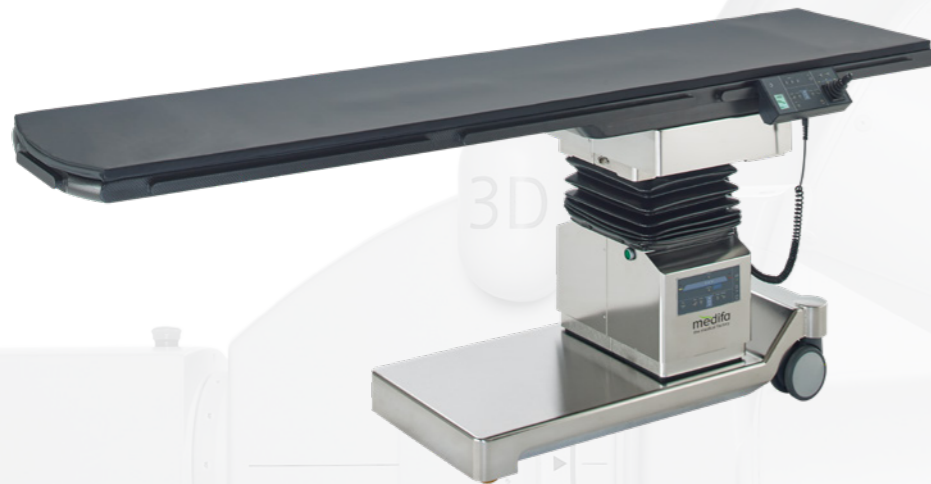


- Activation of control panel
- Activation of up to three user-defined operating positions
- Saving of up to three user-defined operating positions
- Button for changing direction of joystick
- Joystick for horizontal and vertical sliding of table top
- Reverse-Mode
- Positioning keys
- Leveling
- Colour display with battery indicator

**Options**

1. Standard: Backlit control panel with joystick, colour display and battery indicator
2. Standard: Additional backlit control unit at column
3. Optional: Backlit wireless infrared hand switch with colour display and battery indicator (art.-no. 804070, not retrofittable)
4. Optional: Foot switch for height, lateral and Trendelenburg adjustment (optional, art.-no. 804060)





## Configuration example

**Art.-no. 800200**  
Mobile imaging operating table

**Art.-no. 81220\_1**  
Arm rest

**Price on request!**

## Mobile imaging operating table

**Art.-no. 800200**

- Continuously radiolucent table top made of carbon
- Table top with side rails made of carbon for attachment of accessories
- Additional side rails made of carbon at head and foot end
- Control panel with colour display and joystick for electric adjustments
- Additional control unit for electric adjustments at column
- Longitudinal sliding of table top up to 300 mm
- Vertical sliding of table top up to 180 mm
- Height adjustment from 750 up to 1,110 mm
- Trendelenburg adjustment from -25° up to +25°
- Lateral tilt from -20° up to +20°
- Three user programmable position presets (Memory Function)
- Mobility by means of two double swivel castors Ø 125 mm and four fixed castors Ø 80 mm with central brake
- Upholstery (H = 20 mm), radiolucent, electrically conductive and detachable
- Integrated batteries and battery charger
- Indicator of current charge of batteries at control panel
- Power supply 110V or 220V / 50-60 Hz
- Maximum permissible overall load: 250 kg
- Dimensions of lying surface (L x W): 2,335 x 540 mm
- Weight of the table: 250 kg

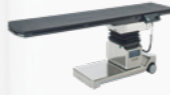


- Slim column and flat base enable optimal positioning of c-arm
- Integrated carbon guide rails for attachment of accessories for various medical disciplines (for example skull clamp, art.-no. 811069)

## Specialities

- Cardiovascular surgery
- Vascular surgery
- Neurosurgery and spinal surgery
- ERCP
- Pain therapy

# Models



**Range** **800200**

	Height adjustment	750 - 1,110 mm	●
	Trendelenburg	-25° / +25°	●
	Lateral tilt	-20° / +20°	●
	Horizontal sliding of table top	up to 300 mm	●
	Vertical sliding of table top	up to 180 mm	●
	Mobility		■
	Central brake		■
	Memory (3 Positions)		●
	Maximum permissible overall load		250 kg

● Electrohydraulic ■ Manual

# Positioning Examples



Positioning for cardiovascular surgery with head ring



Positioning for vascular surgery with head ring in reverse position



Positioning for cervical spine interventions with horseshoe shaped head rest system and arm rest

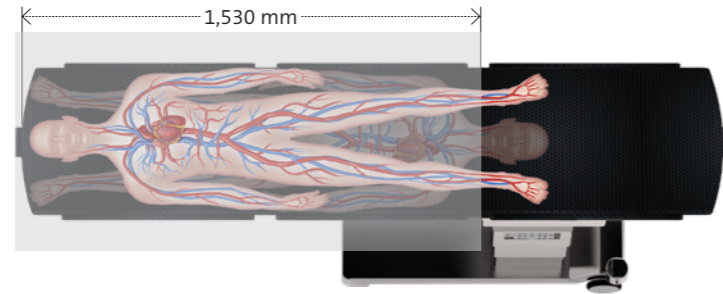


Positioning for neurosurgery with skull clamp system and arm rest

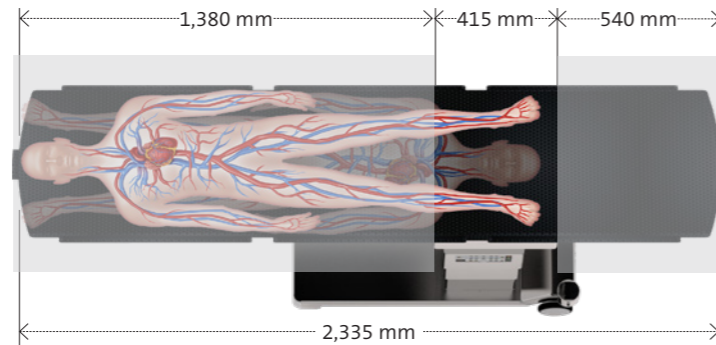
# Technical Information

- Continuous radiolucency with a length up to 1,530 mm (1,300 mm with unrestricted 360° imaging)
- Up to 1,850 mm continuous radiolucency (1,600 mm with unrestricted 360° imaging) when attaching optional radiolucent headrest system (art.-no 811076 or 811078)
- Lying surface with a length of 2,335 mm fits to every patient size
- Lying surface is extendible up to 640 mm by using optional radiolucent width extensions (art.-no. 81355)

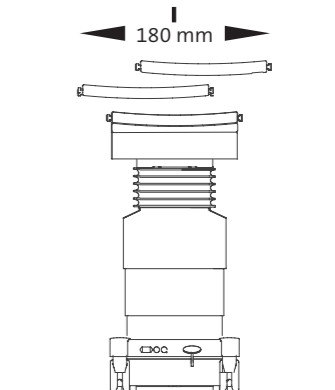
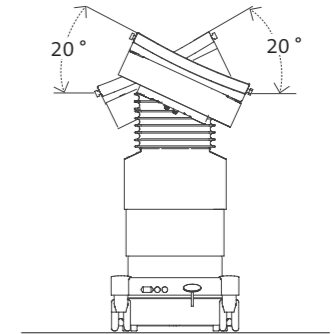
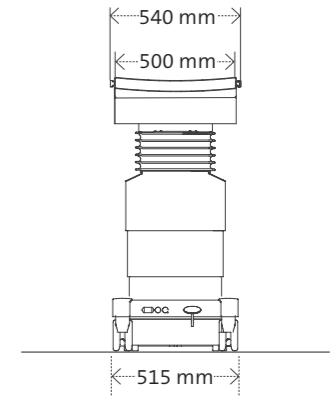
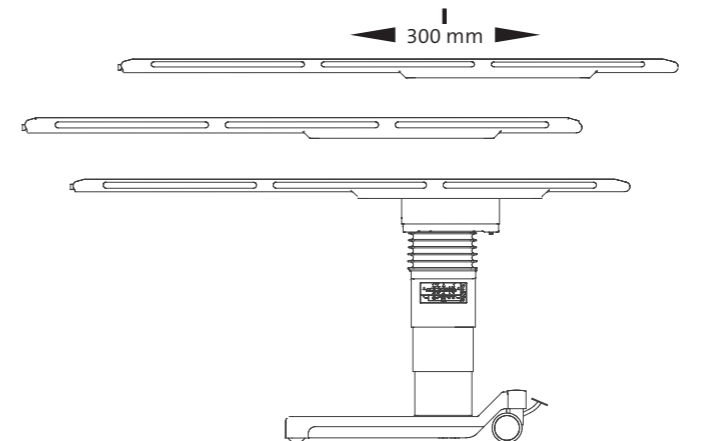
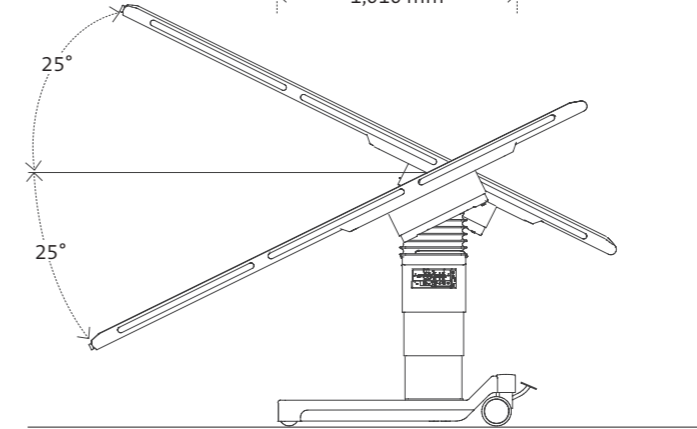
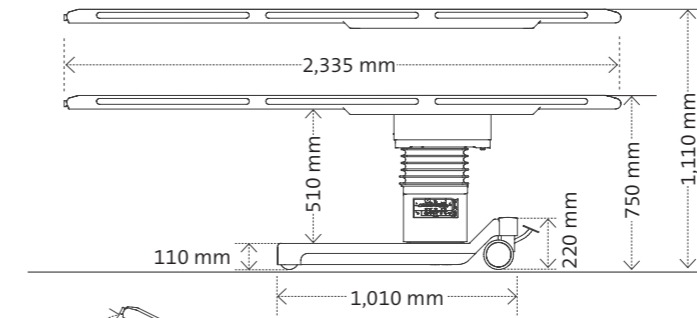
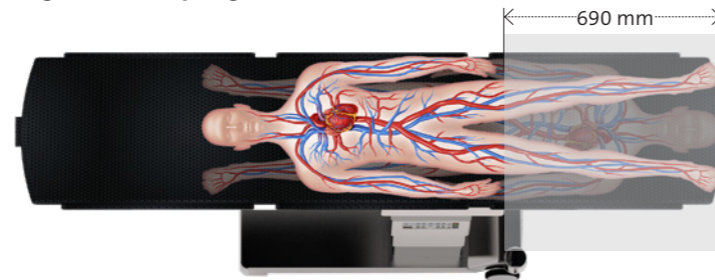
**Horizontal sliding of table top (left-sided)**



**Basic position**



**Horizontal sliding of table top (right-sided)**



# Accessories for medifa 8000



## Foot switch for medifa 8000

**Art.-no. 804060**

- Additional control unit for the main functions height, lateral and Trendelenburg movement
- Tethered



## Infrared remote control for medifa 8000

**Art.-no. 804070**

- Incl. charging station
- Wireless data transfer
- Control panel for all electric functions



## Hand switch support

**Art.-no. 61575**

- To place hand switch at lateral or head-end side rail
- Tiltable
- Material: Stainless steel



## Clamp for medifa 8000

**Art.-no. 81511**

- For fixation of accessories with round rod ( $\varnothing = 16-18$  mm)
- Rotatable



## Anaesthesia screen for medifa 8000

**Art.-no. 81750**

- Incl. clamp, without arm restraint cuff
- Extendible to both sides
- 

## Arm restraint cuff

**Art.-no. 61755**

- For attachment at anaesthesia screen
- Suitable for: 61750, 81750



## Flexible anaesthesia screen for medifa 8000

**Art.-no. 81751**

- Incl. clamp
- Bendable, individually adjustable
- Length: 2,000 mm



# Accessories for medifa 8000



**Infusion holder for medifa 8000**

**Art.-no. 81815**

- Incl. clamp
- Extendible
- Four hooks



**Body or leg strap for medifa 8000**

**Art.-no. 81405**

- Steplessly adjustable
- With velcro strap



**Hand cuffs for medifa 8000 (pair)**

**Art.-no. 81406**

- Incl. clamp
- For fixation of hands or arms



**Joint arm with horseshoe headrest for medifa 8000**

**Art.-no. 81110**

- Flexible positioning of headrest by means of three joints
- Fast positioning and fixation of horseshoe shaped headrest by means of central screw
- For positioning of head in prone or supine position
- Oval form with cut-out
- Upholstery: PUR, electrically conductive (on request)



**Horseshoe headrest for adults (DORO)**

**Art.-no. 811076**

- Incl. detachable gel pads and fixation
- For positioning head in prone or supine position
- Radiolucent
- Composed of: 561060 - Adaptor for accessories, 561061 - Connecting piece short, 561062 - Connecting piece long, 561067 - Swivel adaptor, 561077 - Horseshoe headrest (adults)



**Horseshoe headrest for children (DORO)**

**Art.-no. 811078**

- Incl. detachable gel pads and fixation
- For positioning head in prone or supine position
- Radiolucent
- Composed of: 561060 - Adaptor for accessories, 561061 - Connecting piece short, 561062 - Connecting piece long, 561067 - Swivel adaptor, 561079 - Horseshoe headrest (children)

# Accessories for medifa 8000



## Skull clamp (DORO)

**Art.-no. 811069**

- Incl. fixation
- For fixation of head during neurosurgical procedures
- Radiolucent
- Composed of: 561060 - Adaptor for accessories, 561061 - Connecting piece short, 561062 - Connecting piece long, 561067 - Swivel adaptor, 561068 - Skull clamp
- Skull pins 811073 or 811074 have to be ordered separately



## Skull pins adults (DORO)

**Art.-no. 811073**

- Reusable, three pieces, made of titan
- Attachment at 811069

## Skull pins children (DORO)

**Art.-no. 811074**

- Reusable, three pieces, made of titan
- Attachment at 811069



## Bow frame

**Art.-no. 81900**

- Incl. hand crank
- Radiolucent
- Unlimited access to C-arms
- Patient supports are adjustable to fit different patient sizes
- Maximum patient weight: 227 kg



## Radiolucent arm rest

**Art.-no. 81220\_1**

- Swivelling
- Radiolucent
- L x W: 650 x 140 mm
- Upholstery: Artificial leather covered foam, H = 20 mm, electrically conductive
- Also available with upholstery H = 40 mm (Art.-no. 81220\_2) and H = 60 mm (Art.-no. 81220\_3)



## Arm rest with joint arm for medifa 8000

**Art.-no. 81218**

- Incl. clamp and fixture straps
- Three joints enable flexible positioning of patient's arm
- Fast positioning and fixation by means of central screw
- Upholstery: Viscoelastic foam, L x W x H: 500 x 115 x 80 mm, electrically conductive, detachable



## Arm shield for medifa 8000 & 8000 hybrid

**Art.-no. 81345**

- Incl. upholstery
- L x H: 410 x 180 mm

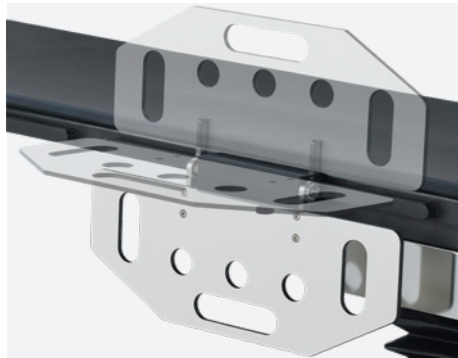
# Accessories for medifa 8000



## Arm and hand surgical table

**Art.-no. 81230**

- Incl. clamp, upholstery and supporting leg
- Table top made of carbon
- Radiolucent
- Adjustable in height
- L x W: 815 x 430 mm
- Upholstery: Soft Foam Core, H: 30 mm, electrically conductive



## Side support / arm rest

**Art.-no. 81092**

- For stabilisation of patient or positioning of arm
- Hinged in three steps (upwards, horizontally, downwards)
- L x H: 600 x 140 / 235 mm
- Upholstery made of artificial leathered covered foam, H= 20 mm has to be ordered separately (art.-no. 56031)



## Adaptor for side rails

**Art.-no. 81560**

- Incl. clamps
- For attachment of external accessories
- L: 200 mm



## Holder of body supports for medifa 8000

**Art.-no. 81367**

- For attachment of body supports
- Adjustable in height, extendible and swivelling (360°)
- Positioning of body supports by means of ball joint



## Body support for pubis, sacrum and sternum

**Art.-no. 61361\_1**

- Upholstery: PUR, Ø: 100 mm, electrically conductive
- Suitable for: 61361, 61367 and 81367
- Material: Stainless steel



## Body support for side and shoulder

**Art.-no. 61361\_2**

- Upholstery: PUR, L x W: each 220 x 110 mm, electrically conductive
- Suitable for: 61361, 61367 and 81367
- Material: Stainless steel

# Accessories for medifa 8000



## Body support for back and buttocks

**Art.-no. 61361\_3**

- Upholstery: PUR, L x W: each 220 x 110 mm, electrically conductive
- Suitable for: 61361, 61367 and 81367
- Material: Stainless steel



## Supporting roll

**Art.-no. 61361\_4**

- For lateral positioning of patient
- Upholstery: PUR, L x Ø: 190 x 100 mm, electrically conductive
- Suitable for: 61361, 61367 and 81367
- Material: Stainless steel



## Width extensions (pair)

**Art.-no. 81355\_1**

- Radiolucent
- Integrated side rails
- L x W: 600 x 50 mm
- Upholstery: Artificial leather covered foam, H: 20 mm
- Also available with upholstery height 40 mm (Art.-no. 81355\_2) and 60 mm (Art.-no. 81355\_3)



## Radiation protection

**Art.-no. 81040**

- Incl. fixation
- Protects lower body from scattered radiation
- Three segments (each L x W: 750 x 290 mm)
- X-ray tube voltage range: 50 - 120 kV



## Radiation protection with upper shield

**Art.-no. 81045**

- Incl. fixation
- Protects body from scattered radiation
- Lower shield consisting of three segments (each L x W: 750 x 290 mm)
- Upper shield consisting of four segments (each L x W: 270 x 180 mm)
- X-ray tube voltage range: 50 - 120 kV



## Head support

**Art.-no. 61147**

- For positioning of patient in supine position
- Radiolucent
- L x W: 250 x 250 mm
- Material: PUR, electrically conductive

# Accessories for medifa 8000



**Spinal disc pad**  
**Art.-no. 61900**

- For positioning during surgeries at spinal disc
- Radiolucent
- L x W x H: 820 x 450 x 90 mm
- Material: Viscoelastic foam, electrically conductive



**Head ring made of silicone gel for adults**

**Art.-no. 61115**

- Height 45 mm, Ø (outer): 200 mm

**Head ring made of silicone gel for children**

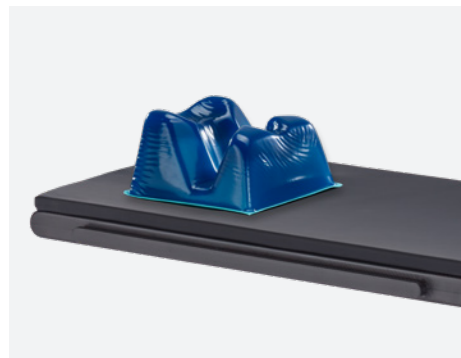
**Art.-no. 61115\_2**

- Height 35 mm, Ø (outer): 140 mm

**Head ring made of silicone gel for infants**

**Art.-no. 61115\_3**

- Height 20 mm, Ø (outer): 90 mm



**Head positioning pad for adults made of silicone gel**

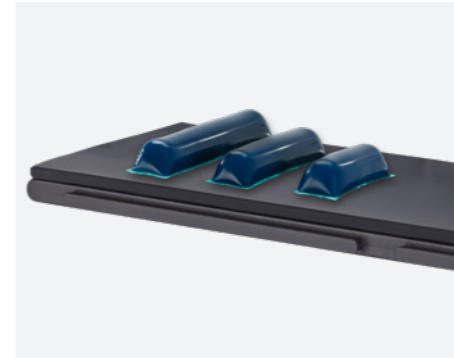
**Art.-no. 61910**

- For positioning of patient in prone position
- L x W x H: 280 x 240 x 150 mm

**Head positioning pad for children made of silicone gel**

**Art.-no. 61911**

- For positioning of patient in prone position
- L x W x H: 260 x 230 x 140 mm



**Small flat bottom chest roll made of silicone gel**

**Art.-no. 61920**

- L x W x H: 305 x 100 x 75 mm

**Medium flat bottom chest roll made of silicone gel**

**Art.-no. 61921**

- L x W x H: 405 x 100 x 75 mm

**Large flat bottom chest roll made of silicone gel**

**Art.-no. 61922**

- L x W x H: 510 x 100 x 75 mm



**Heel pads made of silicone gel (pair)**

**Art.-no. 61940**

- For positioning patient in supine position
- L x W x H: 190 x 100 x 70 mm



**Upholstery for lying surface for medifa 8000**

**Art.-no. 800020**

- Artificial leather covered foam, L x W x H: 2,340 x 540 mm x 20 mm, electrically conductive
- Also available with upholstery height 40 mm (Art.-no. 800040) and 60 mm (Art.-no. 800060)

# Additional accessories

A wide range of optional accessories complements the application spectrum of our operating tables.

For central storage of accessories we offer a trolley (art.-no. 341045) made of polished stainless steel.

Further accessories can be found in our brochure "Accessories for operating tables".



# medifa

## Competence around operating rooms

As a leading international manufacturer of medical products, medifa GmbH offers innovative products and solutions for operating rooms, mobile hybrid operating systems and other areas in hospitals or outpatient surgical centers. The big product portfolio includes mobile operating tables and operating accessories, mobile carbon operating tables, operating lights, as well as examination and treatment chairs.

The medifa GmbH is a company of the Reinsberg Group, a leading and globally active European manufacturer of medical products and solutions for hospitals.

The development, construction and production of medifa products take place in Germany. With a large share of added value in the company group, medifa guarantees its customers fast response times and high quality "Made in Germany" in accordance with certified national and international quality standards. medifa consistently focuses on the current and future requirements of its customers. In line with the slogan "we care", customers from all over the world can rely on top-class consultation, processing and quality from a single source.

## Products

- Operating lights (medifa H!Light)
- Mobile operating tables
- Mobile carbon operating tables for minimal invasive applications
- Accessories for operating tables and lights
- Examination and treatment chairs (gynecology, urology and proctology)
- Medical functional furniture

## medifa worldwide



# medifa

Member of REINSBERG® GROUP



## medifa GmbH

Industriestraße 5  
57413 Finnentrop  
Germany  
fon +49 2721 71 77 -0  
fax +49 2721 71 77 -255  
[www.medifa.com](http://www.medifa.com)  
[info@medifa.com](mailto:info@medifa.com)

Version 01-24-EN

Subject to modifications due to technical development.

This document is intended to provide information to an international audience outside of the US.



Made in Germany

[www.medifa.com](http://www.medifa.com)

we care.