



## medifa 2000

Multifunctional  
Tables



we care.

# medifa 2000

- Ergonomic and modern design
- Optimal foot space because of Y-base construction
- Optimal cleaning and disinfection
- User-friendly foot switch conception
- Safety engines against wedge and squeezing hazard
- Electric adjustment of head part as standard function
- Single or parallel movement for height adjustment columns
- Anti- / Trendelenburg position available
- Accessible for handicapped and elderly people
- Various colouring possible





# Functionality and Design





Height adjustment from  
580 up to 980 mm



Trendelenburg adjustment from  
 $-22^\circ$  up to  $+22^\circ$



Head section adjustment  
from  $-27^\circ$  up to  $+40^\circ$



Back section adjustment from  
 $0^\circ$  up to  $+46^\circ$

# Models



## Multifunctional table with two-part lying surface

### Art.-no. 112802

- Electromechanical height adjustment from 580 to 980 mm
- Electromechanical head section adjustment from  $-27^{\circ}$  up to  $+40^{\circ}$
- Electromechanical Trendelenburg adjustment from  $-22^{\circ}$  up to  $+22^{\circ}$
- Frame colour: White (RAL 9010)
- Easy adjustment of powered functions by foot switch
- Upholstery thickness: 70 mm
- Safety load: 225 kg
- Lying surface: 1960 x 650 mm
- Floor space required: 1750 x 620 mm
- Power supply: 230 V / 50-60 Hz

## Shown Accessories:

### 85200

Side rails

### 83201

Nose slit incl. filling pad



### **Multifunctional table with three-part lying surface**

#### **Art.-no. 112805**

- Electromechanical height adjustment from 580 to 980 mm
- Electromechanical head section adjustment from -27° up to +40°
- Electromechanical Trendelenburg adjustment from -22° up to +22°
- Electromechanical back section adjustment from 0° up to +46°
- Frame colour: White (RAL 9010)
- Easy adjustment of powered functions by foot switch
- Upholstery thickness: 70 mm
- Safety load: 225 kg
- Lying surface: 1960 x 650 mm
- Floor space required: 1750 x 620 mm
- Power supply: 230 V / 50-60 Hz

#### **Shown Accessories:**

##### **112898**

Mobility white

##### **85200**

Side rails

##### **81700**

Leg holders according to Goepel Classic

##### **81710**





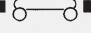

Artificial leather cover of leg holders in colour of upholstery

##### **1228530**

Hand grips white

# Models



	Range:	112802	112805
 Height adjustment	580 - 980 mm	●	●
 Trendelenburg	-22° / +22°	●	●
 Head section adjustment	-27° / +40°	●	●
 Back section adjustment	0° / +46°		●
 Mobility		◆	◆
 Safety load		225 kg	225 kg

● Electromechanical    ◆ Optional

## Technical Data

MPG - Class: I

Protection Class: I

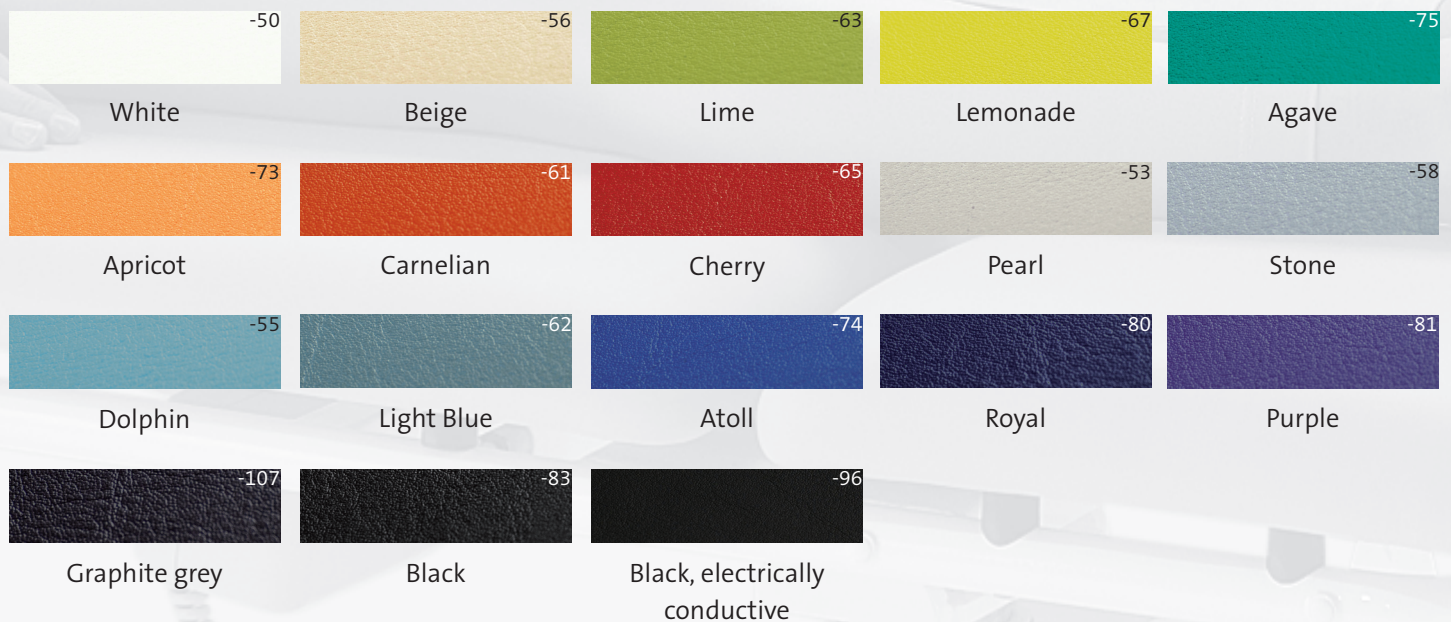
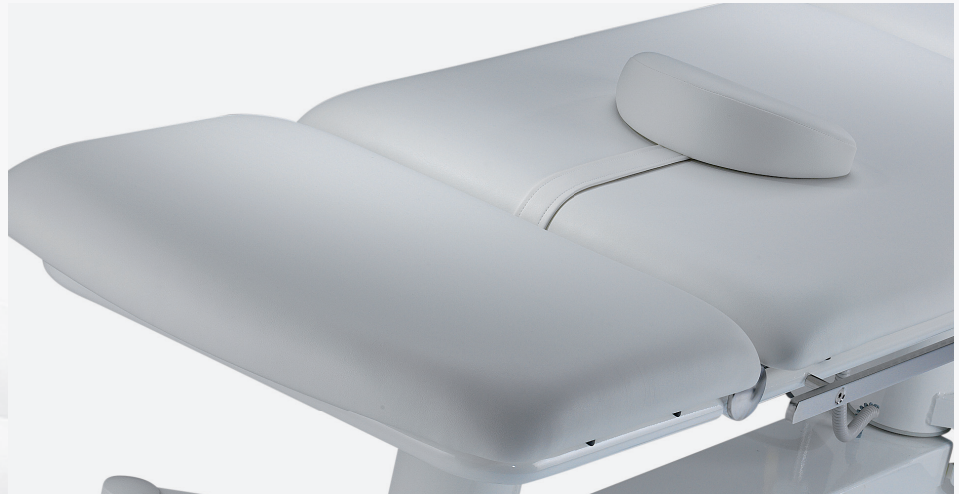
Protection type: IP 44

Power supply: 230 V

# Comfort and Elegance

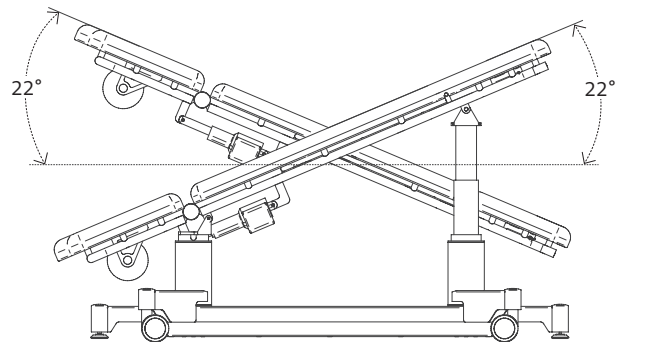
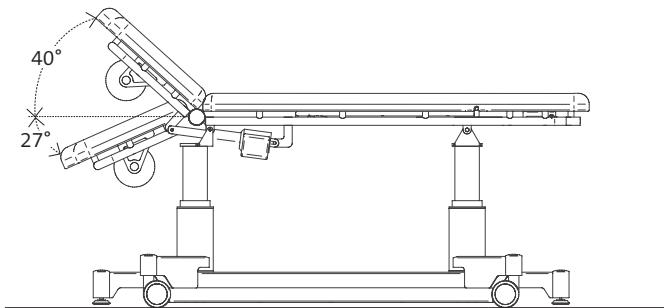
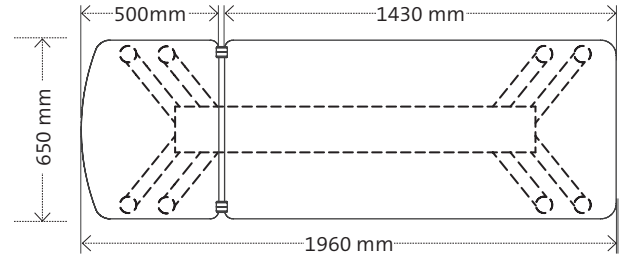
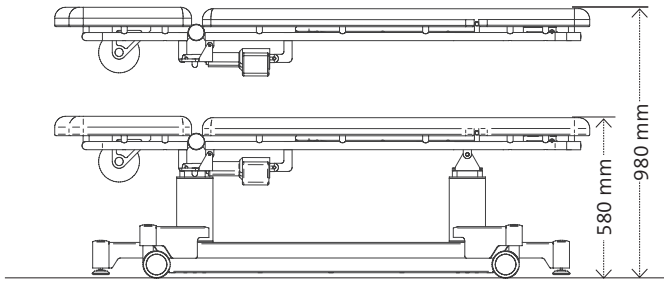
## Upholstery

- Ergonomic implementation of cushion parts
- Rounded rough edges
- High quality artificial leather
- Seamlessly manufactured
- Optimal possibilities to clean and disinfect
- Various colourings without any extra charge
- Upholstery spacers against wedge and squeezing hazard

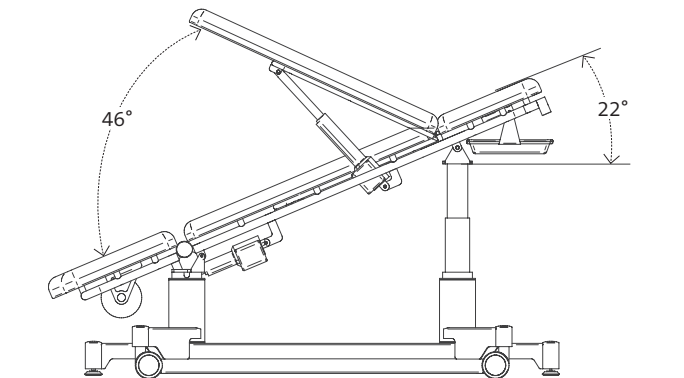
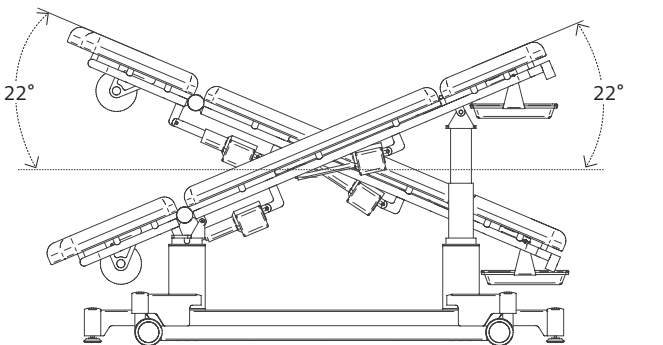
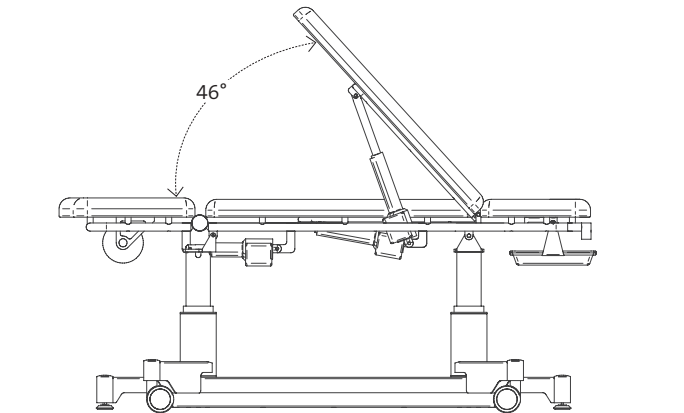
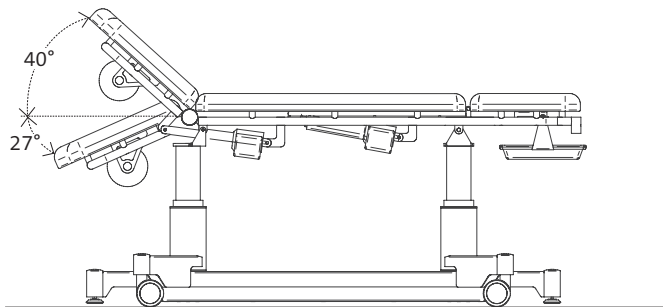
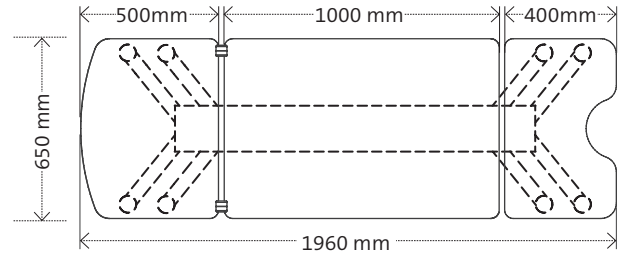
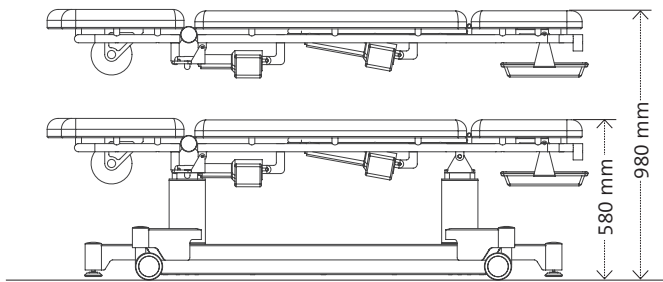


# Technical Information

## Models 112802



Models 112805



# Accessories



**Art.-no. 28013**

Neck upholstery for attachment at back rest (model 112805)



**Art.-no. 83201**

Nose slit in head section, incl. filling cushion



**Art.-no. 81001**

Support for paper roll holder stick (in combination with 81524)

**Art.-no. 81524**

Paper roll holder stick, l=650 mm



**Art.-no. 81800**

Infusion holder, extendable, with 4 hooks and dropping glass, incl. clamp



**Art.-no. 85200**

Side rails for attachment of accessories, l= 600 mm, pair



**Art.-no. 112898**

Mobility, white RAL 9010, with four twin castors



**Art.-no. 1128530**

Hand grips, for attachment at pelvis section (model 112805), pair



**Art.-no. 28531**

Covering of hand grips with artificial leather in upholstery colour, pair

**Art.-no. 112899\_P**

Potential equalisation for connecting protective conductor

**Art.-no. 112899\_S**

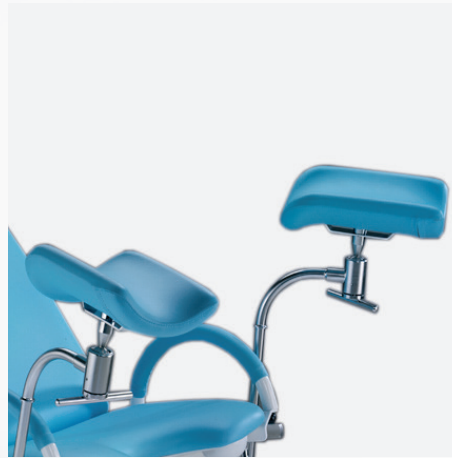
Key lock for blocking all electric functions

# Accessories



**Art.-no. 81700**

Leg holders according to Goepel Classic with black foamed PUR knee bolsters, pair, without clamps (61511)



**Art.-no. 81710**

Artificial leather cover of leg holders in colour of upholstery, pair



**Art.-no. 61511**

Clamp for fixation of accessories with round rod (18 mm), rotatable



**Art.-no. 61211**

Arm rest, rotatable and tiltable by means of ball joint, height adjustable, horizontally slidable, incl. clamp and fixture strap, upholstery made of PUR (H = 40 mm), L x W: 400 x 115 mm

## The medifa healthcare group unites competence concerning operating rooms under one roof.

medifa® is an owner-run and internationally active company, and covers all operating room requirements from modular wall, door and ceiling systems (RooSy® Room Systems) for the turnkey operating room, mobile operating tables and operating room accessories, right up to examination chairs, with its product and service portfolio.

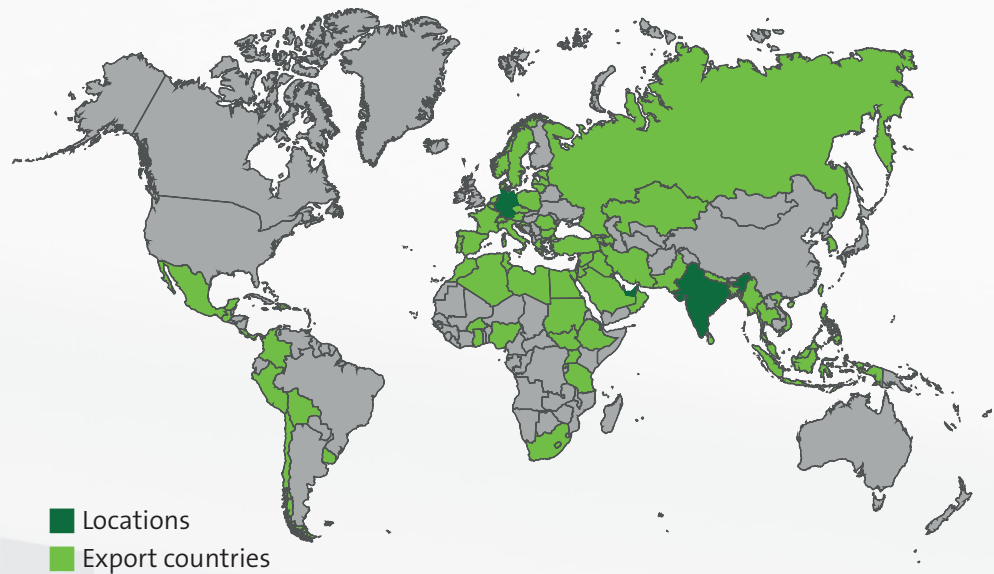
In addition, one of the largest German OEM suppliers in the medical technology sector also belongs to medifa.

medifa GmbH & Co. KG (Finnentrop), medifa hygienic rooms GmbH (Ötigheim) and medifa metall und medizintechnik GmbH in Rastatt are all part of this group of companies. The medifa healthcare group employs approximately 350 employees at three locations within Germany. The planning, engineering and production take place exclusively in Germany, and with over 90% added value in the group of companies, the group guarantees fast reaction times.

At medifa®, the slogan “we care” means that the company consistently orientates itself according to the requirements of its customers. Customers all over the world can rely on top-class consultation, processing and quality from a single source, made in Germany according to certified national and international quality standards.

### Locations and export

- Modular operating room systems: walls, doors and ceilings (RooSy)
- Mobile operating tables and accessories
- Examination chairs
- Special construction solutions



we care.



Version 01-19-EN  
Data subject to change without notice.

[www.medifa.com](http://www.medifa.com)

**medifa GmbH & Co. KG**

Industriestraße 5  
57413 Finnentrop  
Germany  
fon +49 2721 71 77 -0  
fax +49 2721 71 77 -255  
[info@medifa.com](mailto:info@medifa.com)

we care.